

PHILIPPGROUP

PHILIPP Marking ring with clip

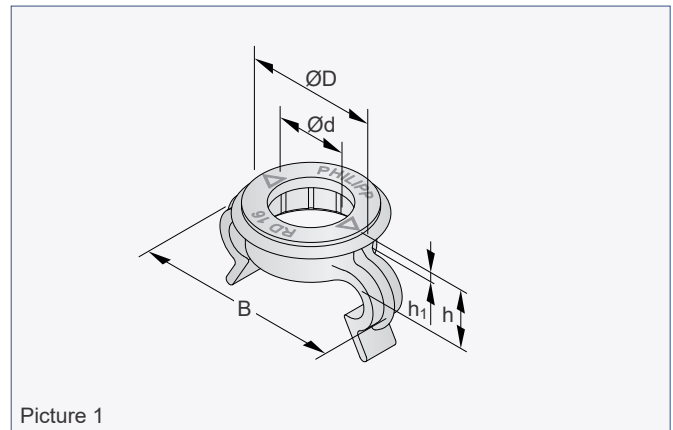


PHILIPP Marking ring with clip

The Marking ring with clip is part of the PHILIPP Threaded anchor system. It is made of plastic and is used for marking the installed anchor as well as to fix additional reinforcement to the right position of the threaded insert (reinforcement for lateral or diagonal tension, see Picture 4). Due to the colour-coded marking a quick and correct classification of the corresponding lifting device is ensured.













Marking ring with clip only suitable for Threaded transport anchors in version galvanised.



Picture 1

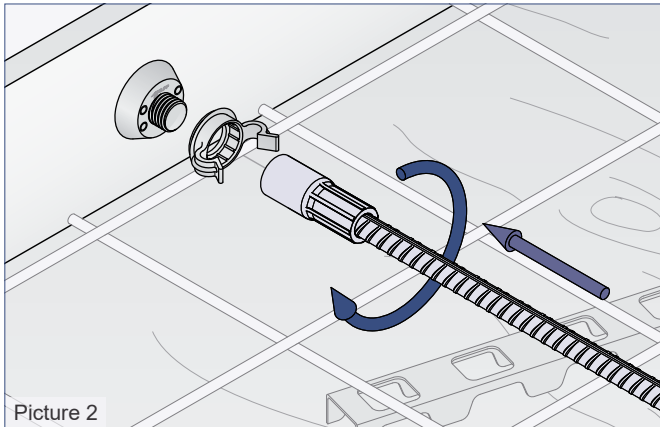
Table 1: Marking ring with clip

Ref.-No.	Type RD/M	ØD [mm]	Ød [mm]	B [mm]	h [mm]	h ₁ [mm]
74KR12CLIP	 12	26	13	34	10	2,5
74KR14CLIP	 14	30	15	38	10	2,5
74KR16CLIP	 16	31	17	45	10	2,5
74KR18CLIP	 18	35	19	48	10	2,5
74KR20CLIP	 20	37	21	55	10	2,5
74KR24CLIP	 24	41	25	63	10	2,5
74KR30CLIP	 30	52	31	72	10	2,5
74KR36CLIP	 36	57	37	84	10	2,5
74KR42CLIP	 42	64	43	95	13	2,5
74KR52CLIP	 52	80	53	117	13	2,5

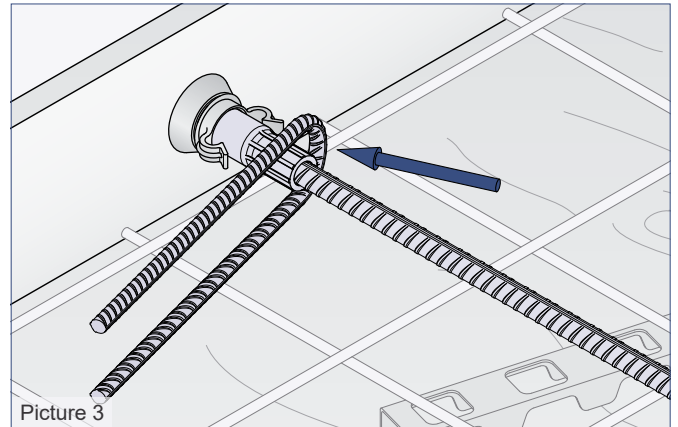
Installation

The Marking ring is put over the threaded insert prior the installation of the anchor. Finally the Threaded transport anchor is fixed to the mould with a corresponding accessory (e.g. Plastic recess former KHN).

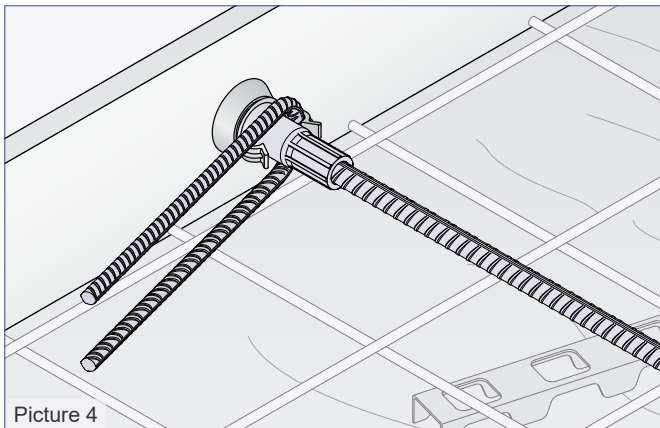
Here it must be paid attention that the Marking ring with clip points to the right direction. Now the required reinforcement (e.g. rebar for diagonal tension) can be pressed into the clip and fixed to the reinforcement.



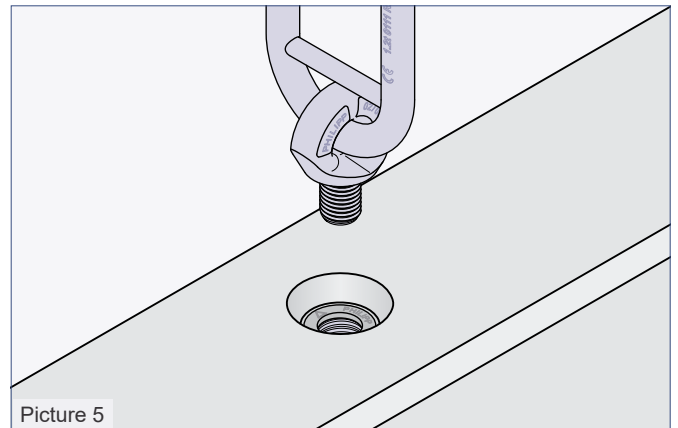
Picture 2



Picture 3



Picture 4



Picture 5