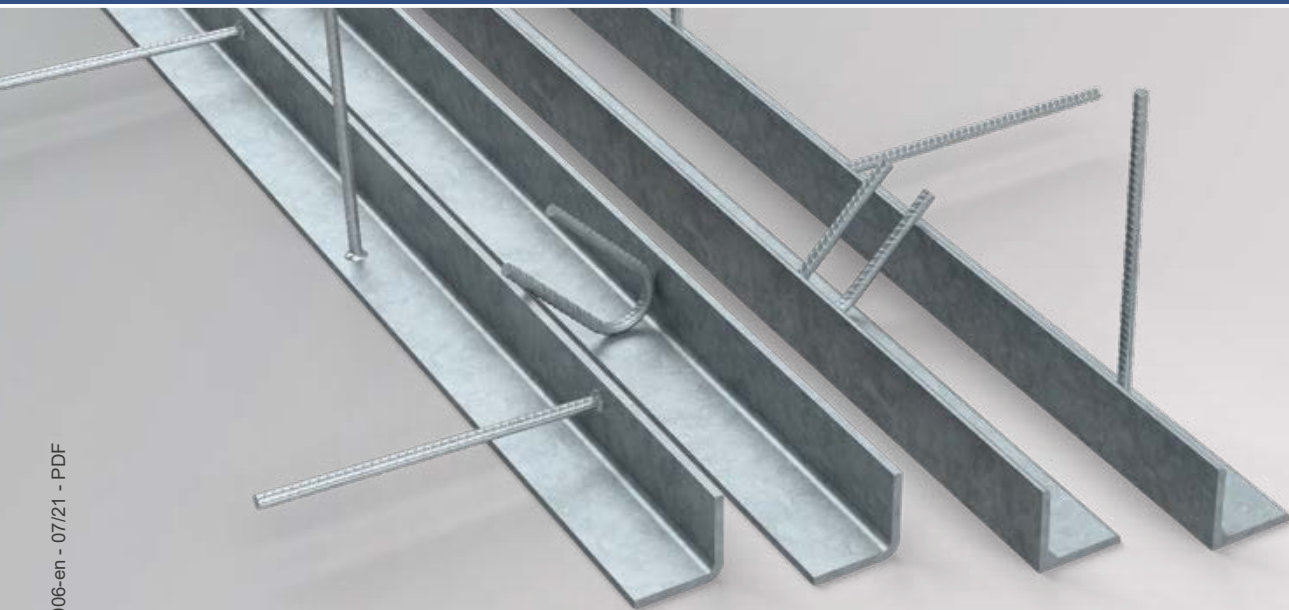


PHILIPPGROUP

PHILIPP Corner guard



VB3-B-006-en - 07/21 - PDF

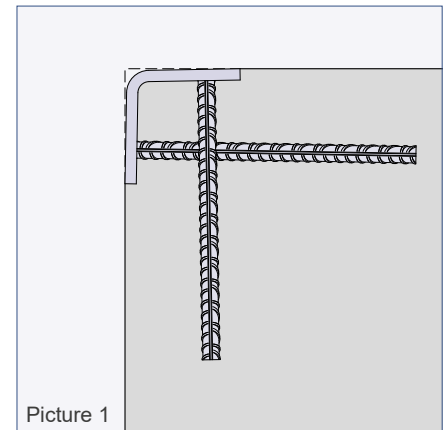
Data sheet

PHILIPP Corner guard

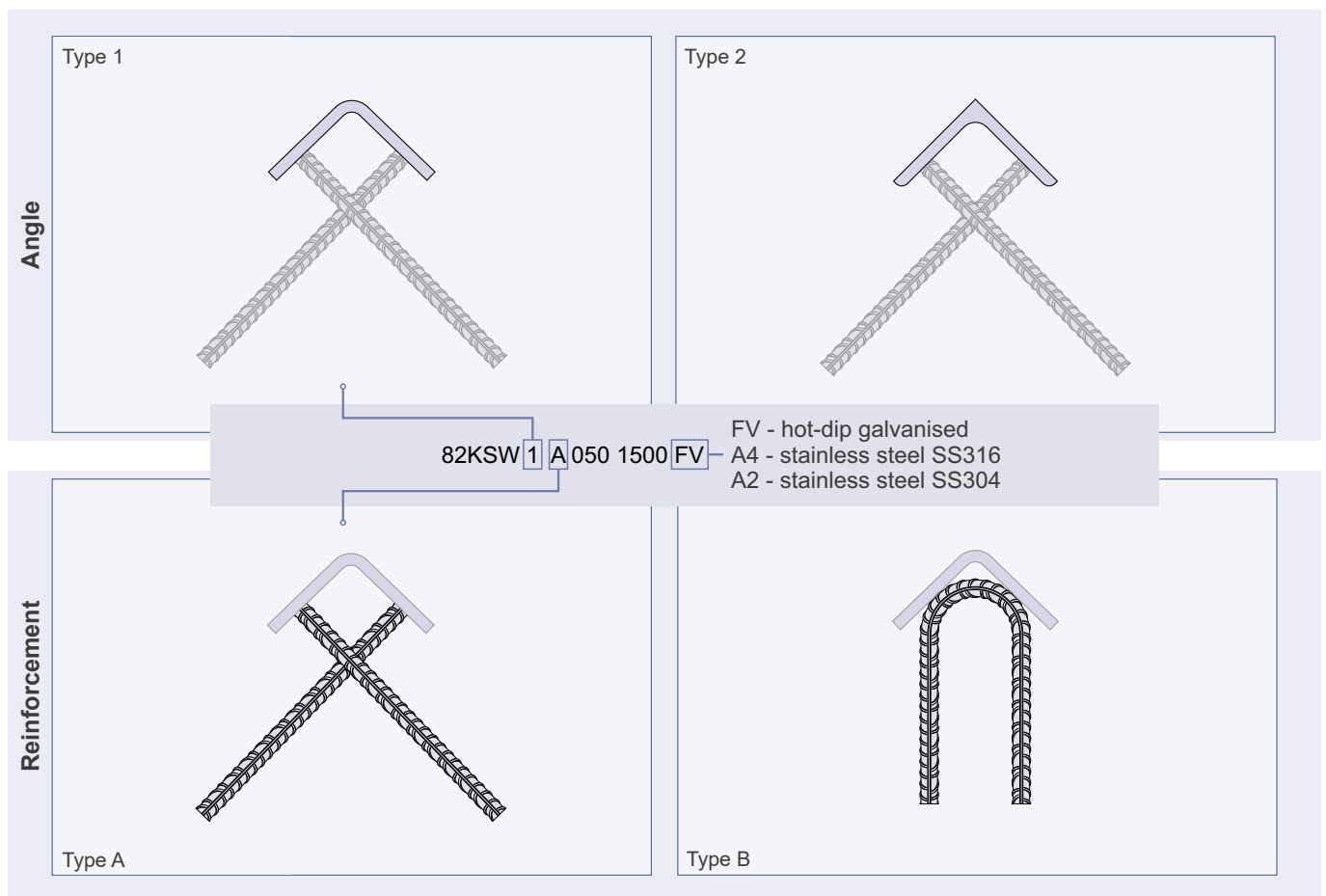
The PHILIPP Corner guard for prefabricated building is used as an edge protection for e.g. columns and panels in industrial buildings, hospitals, parking garages etc. and thus prevents damages to the concrete caused by impact of e.g. vehicles.

The Corner guard can be supplied with different angle and reinforcement types so that it meets different requirements. A 92° fold of the profiles guarantees a perfect fit to the mould and a perfect concrete surface, too.

The Corner guard is available in hot-dip galvanised steel as well as in stainless steel SS304 and SS316. Supplied as ready-to-install including welded reinforcement.



Picture 1



Dimensions

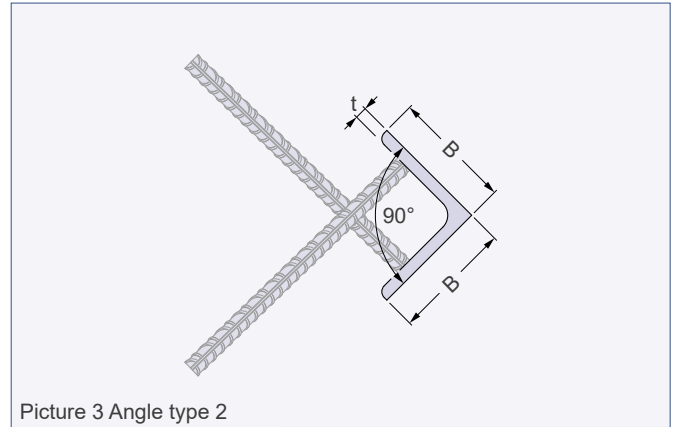
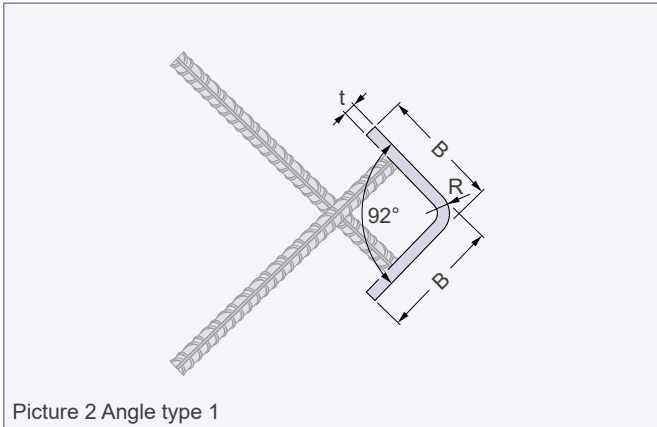
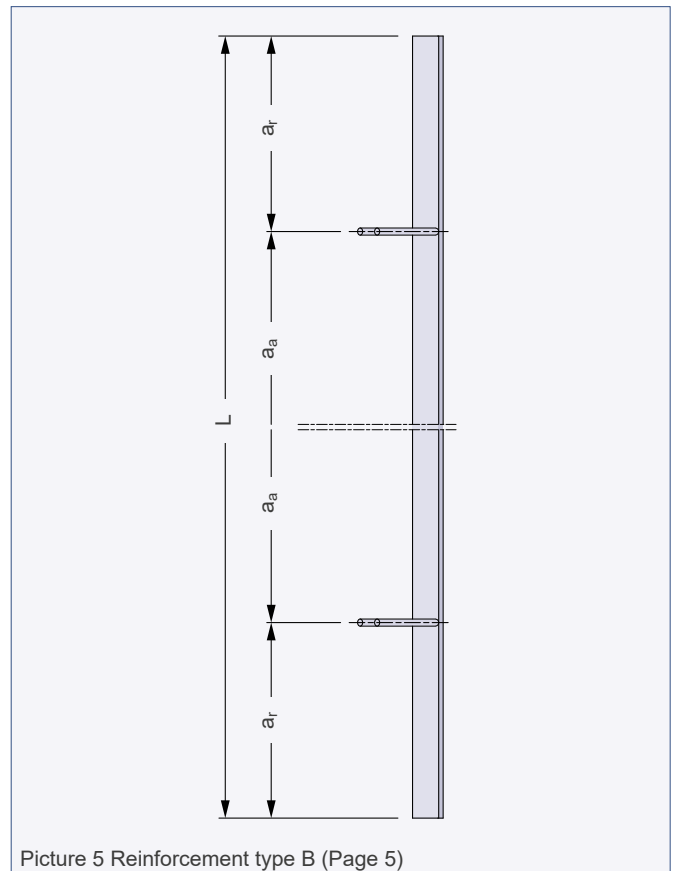
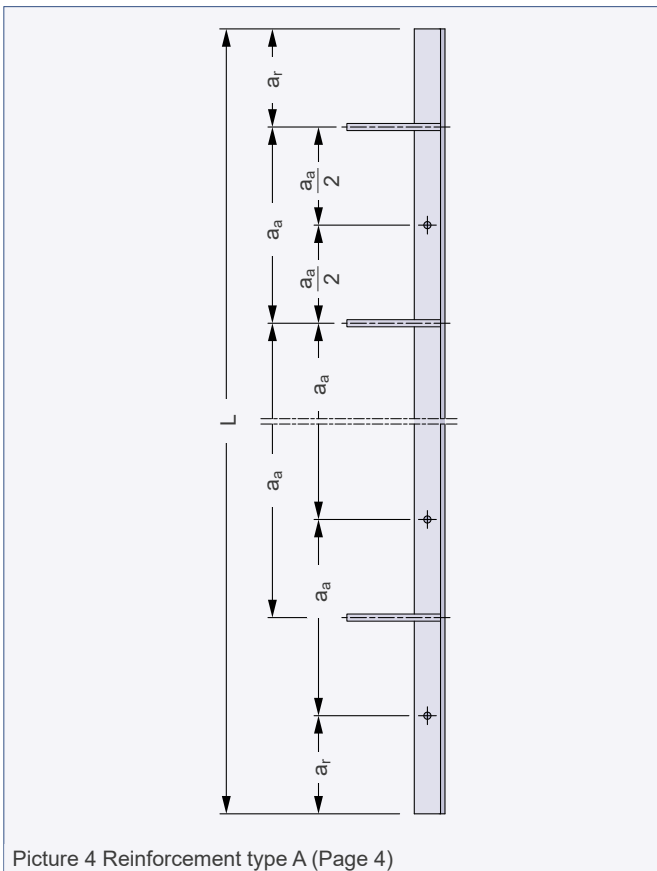


Table 1: Dimensions of the angle

Ref.-No.	B [mm]	t [mm]	L [mm]	R [mm]
82KSW1_050	50	5	1000 / 1500 / 2000	10
82KSW1_060	60	6	1000 / 1500 / 2000	12
82KSW1_080	80	6	1000 / 1500 / 2000	12
82KSW1_100	100	8	1000 / 1500 / 2000	16
82KSW2_050	50	5	1000 / 1500 / 2000	-
82KSW2_060	60	6	1000 / 1500 / 2000	-
82KSW2_080	80	8	1000 / 1500 / 2000	-
82KSW2_100	100	8	1000 / 1500 / 2000	-



Corner guard type 1A / 2A

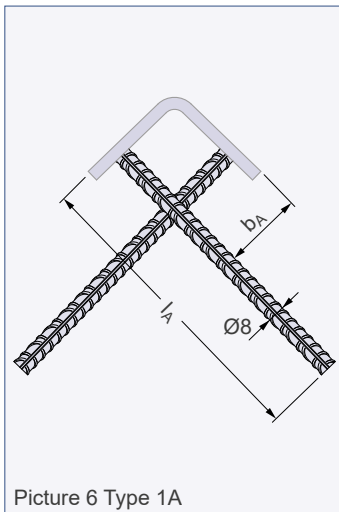


Table 2: Corner guard type 1A

Ref.-No.	Angle Type 1	L [mm]	l _A [mm]	b _A [mm]	a _r [mm]	a _a [mm]	Anchor [Piece]	Weight [kg/pc.]
82KSW1A0501000__	50×5	1000	195	31	125	500	4	3.85
82KSW1A0501500__		1500	195	31	125	500	6	5.78
82KSW1A0502000__		2000	195	31	125	500	8	7.70
82KSW1A0601000__	60×6	1000	196	38	125	500	4	5.51
82KSW1A0601500__		1500	196	38	125	500	6	8.26
82KSW1A0602000__		2000	196	38	125	500	8	11.01
82KSW1A0801000__	80×6	1000	196	59	125	500	4	7.39
82KSW1A0801500__		1500	196	59	125	500	6	11.09
82KSW1A0802000__		2000	196	59	125	500	8	14.78
82KSW1A1001000__	100×8	1000	198	81	125	500	4	12.28
82KSW1A1001500__		1500	198	81	125	500	6	18.42
82KSW1A1002000__		2000	198	81	125	500	8	24.56

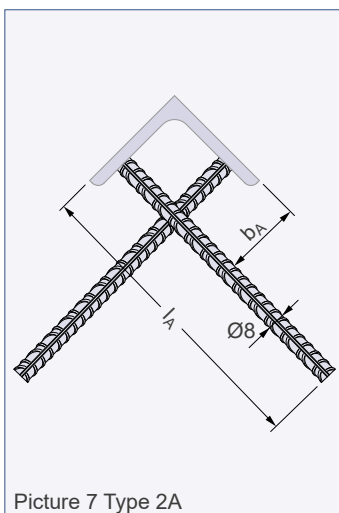


Table 3: Corner guard type 2A

Ref.-No.	Angle Type 2	L [mm]	l _A [mm]	b _A [mm]	a _r [mm]	a _a [mm]	Anchor [Piece]	Weight [kg/pc.]
82KSW2A0501000__	50×5	1000	195	31	125	500	4	4.07
82KSW2A0501500__		1500	195	31	125	500	6	6.11
82KSW2A0502000__		2000	195	31	125	500	8	8.14
82KSW2A0601000__	60×6	1000	196	36	125	500	4	5.72
82KSW2A0601500__		1500	196	36	125	500	6	8.58
82KSW2A0602000__		2000	196	36	125	500	8	11.44
82KSW2A0801000__	80×8	1000	196	56	125	500	4	9.93
82KSW2A0801500__		1500	196	56	125	500	6	14.90
82KSW2A0802000__		2000	196	56	125	500	8	19.86
82KSW2A1001000__	100×8	1000	198	76	125	500	4	12.50
82KSW2A1001500__		1500	198	76	125	500	6	18.75
82KSW2A1002000__		2000	198	76	125	500	8	25.00

Corner guard type 1B / 2B

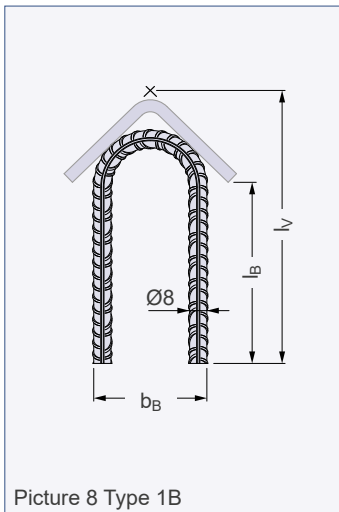


Table 4: Corner guard type 1B

Ref.-No.	Angle Type 1	L [mm]	l _v [mm]	l _B [mm]	b _B [mm]	a _r [mm]	a _a [mm]	Anchor [Piece]	Weight [kg/pc.]
82KSW1B0501000__	50×5	1000	113	75	48	250	500	2	5.19
82KSW1B0501500__		1500	113	75	48	250	500	3	7.79
82KSW1B0502000__		2000	113	75	48	250	500	4	10.38
82KSW1B0601000__	60×6	1000	114	68	48	250	500	2	6.85
82KSW1B0601500__		1500	114	68	48	250	500	3	10.27
82KSW1B0602000__		2000	114	68	48	250	500	4	13.69
82KSW1B0801000__	80×6	1000	160	100	48	250	500	2	8.73
82KSW1B0801500__		1500	160	100	48	250	500	3	13.10
82KSW1B0802000__		2000	160	100	48	250	500	4	17.46
82KSW1B1001000__	100×8	1000	163	86	48	250	500	2	13.62
82KSW1B1001500__		1500	163	86	48	250	500	3	20.43
82KSW1B1002000__		2000	163	86	48	250	500	4	27.24

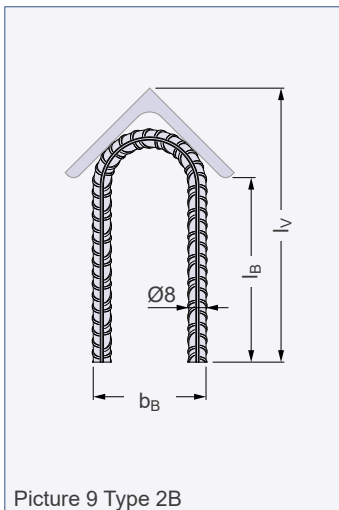


Table 5: Corner guard type 2B

Ref.-No.	Angle Type 2	L [mm]	l _v [mm]	l _B [mm]	b _B [mm]	a _r [mm]	a _a [mm]	Anchor [Piece]	Weight [kg/pc.]
82KSW2B0501000__	50×5	1000	114	76	48	250	500	2	5.41
82KSW2B0501500__		1500	114	76	48	250	500	3	8.12
82KSW2B0502000__		2000	114	76	48	250	500	4	10.82
82KSW2B0601000__	60×6	1000	115	69	48	250	500	2	7.06
82KSW2B0601500__		1500	115	69	48	250	500	3	10.59
82KSW2B0602000__		2000	115	69	48	250	500	4	14.12
82KSW2B0801000__	80×8	1000	161	101	48	250	500	2	11.27
82KSW2B0801500__		1500	161	101	48	250	500	3	16.91
82KSW2B0802000__		2000	161	101	48	250	500	4	22.54
82KSW2B1001000__	100×8	1000	164	88	48	250	500	2	13.84
82KSW2B1001500__		1500	164	88	48	250	500	3	20.76
82KSW2B1002000__		2000	164	88	48	250	500	4	27.68