

PHILIPPGROUP

PHILIPP Magnetic fastener



VB3-B-008-en - 06/21 - PDF

for anchor channels

Application Instruction

PHILIPP Magnetic fastener for anchor channels

The anchor channels magnetic fastener provides an easy and fast fixation of anchor channels on steel formworks. It is placed easily in the anchor channel and holds the anchor channel in its desired position. Moreover, a correction of the position on formworks is possible at all times. The foam material remains in the anchor channels and ensures thereby the high resistance against concrete penetration. In order to make the removal of the anchor channel easier, a hole placed centred in the magnetic fastener can be used for demoulding e.g. by using a screw driver.

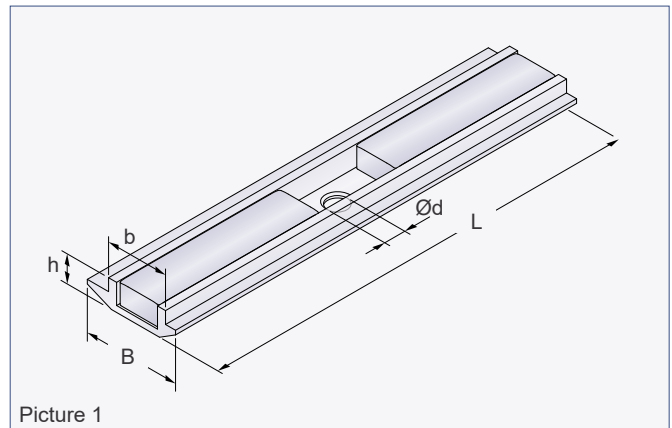


Table 1: Magnetic fastener

Ref.-no.	Adhesion [kg]	Dimensions				
		L [mm]	B [mm]	b [mm]	h [mm]	Ød [mm]
82MAX2815	26	100	15.5	9.2	5.0	5.0
82MAX3817	30	100	22.0	14.2	6.5	5.0
82MAX4022	30	100	23.5	14.2	10.5	5.0
82MAX4025	30	100	23.5	14.2	8.0	5.0
82MAX5030	30	100	23.5	14.2	9.0	5.0
82MAX5234	30	100	27.5	14.2	14.0	5.0

Table 2: Combinations

Ref.-no.	Anchor channels (hot dip galvanized / stainless steel)									
	28/15	38/17	40/25	49/30	54/33	40/22	4022-P	50/30	5030-P	52/34
82MAX2815	•	-	-	-	-	-	-	-	-	-
82MAX3817	-	•	-	-	-	-	-	-	-	-
82MAX4022	-	-	-	-	-	•	•	-	-	-
82MAX4025	-	-	•	-	-	-	-	-	-	-
82MAX5030	-	-	-	•	•	-	-	•	•	-
82MAX5234	-	-	-	-	-	-	-	-	-	•



Handling!

Improper usage could cause skin bruises and blood effusions. Caused by the high impact speed parts of the magnets can be damaged and hurt the user. Magnets should be out of the reach of children. Swallowing of the magnets can cause severe medical problems. Persons with pacemakers are suggested to keep a certain safety distance to strong magnets. Direct contact with magnetic materials can also cause allergic reactions (e.g. against ceramic and metallic materials such as zinc, nickel or plastic).

Temperature!

Please note that the maximum temperature of 80° should not be exceeded. Temperatures above 80° can reduce the adhesion strength of the magnet steadily.

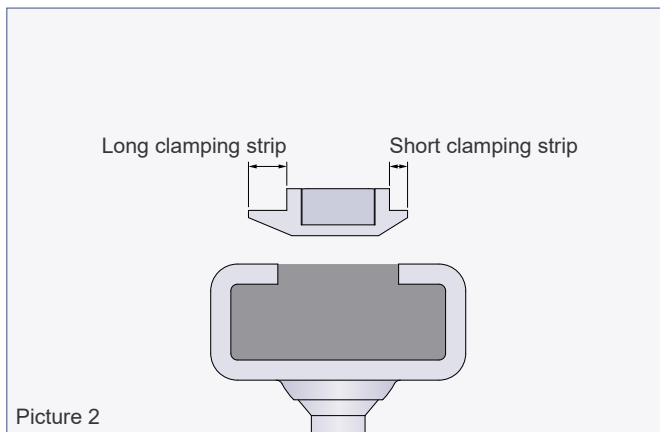
Effect!

Please notice that magnetic fields could delete data of hard disks, cards with magnetic straps etc. Electronic and mechanic components alike pacemaker, watches, counter, compass, screens can be influenced or destroyed. Please keep a safe distance to these objects of at least one meter.

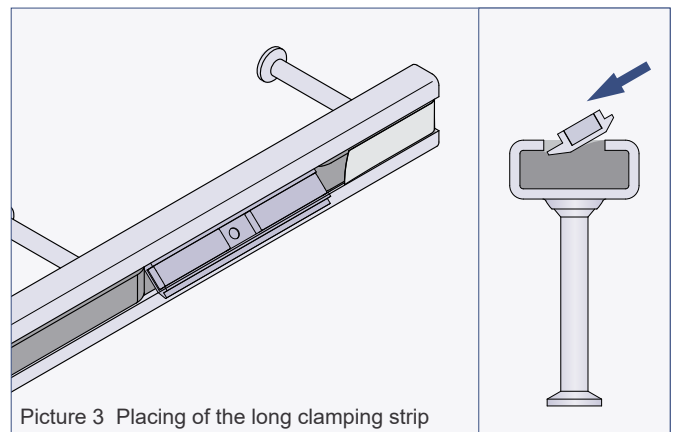
Responsibility!

The magnets are coated to protect them. The coating can be exposed by the normal wear of magnets. By collision of magnets chipping of the coating may appear. But the exposure of the coating does not reduce the capacity of the magnet or should be a reason for any complaint. Mechanical impacts such as welding or dragging on the magnetic must be avoided at any time.

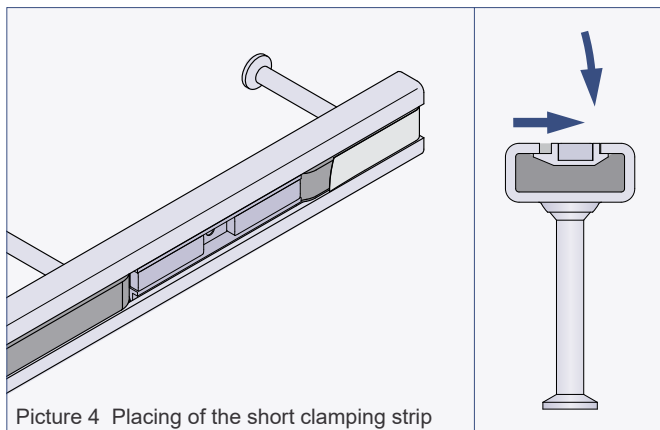
Applications of the Magnetic fastener



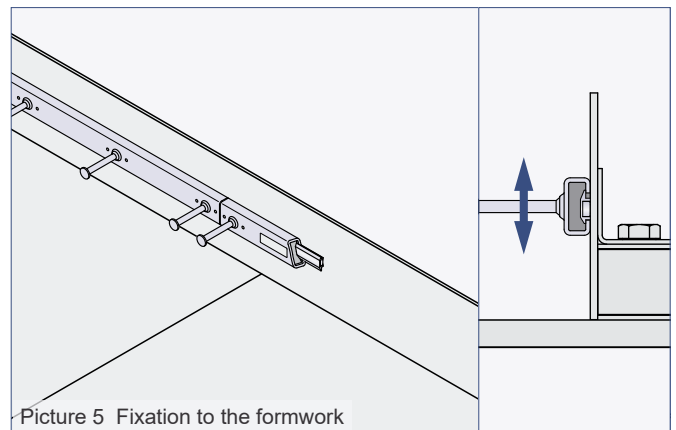
The Magnetic fastener can be placed and tightened in the anchor channel easily because of its asymmetric form.



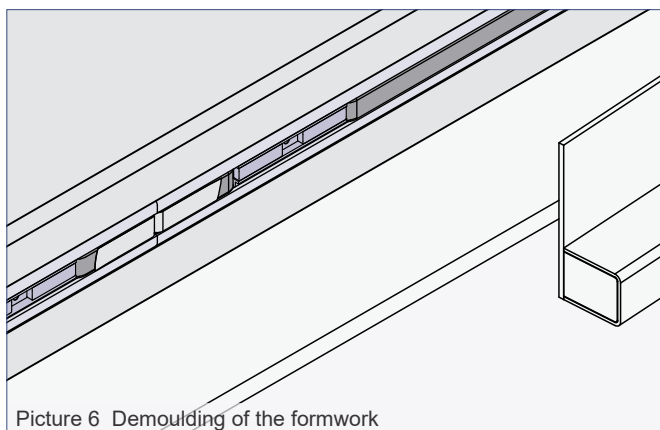
The Magnetic fastener is placed with the long clamping strip on one side in the cellular foam and slides into the anchor channel.



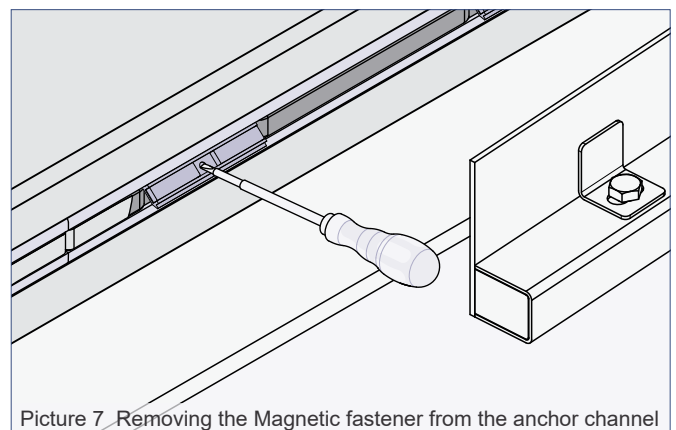
Now the Magnetic fastener is pushed into the cellular foam completely and clipped into the anchor channel by the short clamping strip.



Anchor channel and magnetic fastener can be fixed on the formworks now. Moreover, a correction of the position on the formwork is possible at all times.



After the concrete casting, the element can be removed easily.



The Magnetic fastener can be removed from anchor channel easily and quickly for reuse.